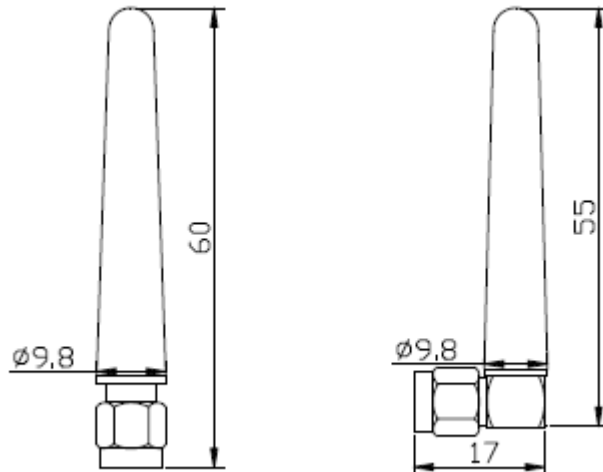


**GSM ANTENNA – KW-4060SMA**



**DIMENSION (mm)**



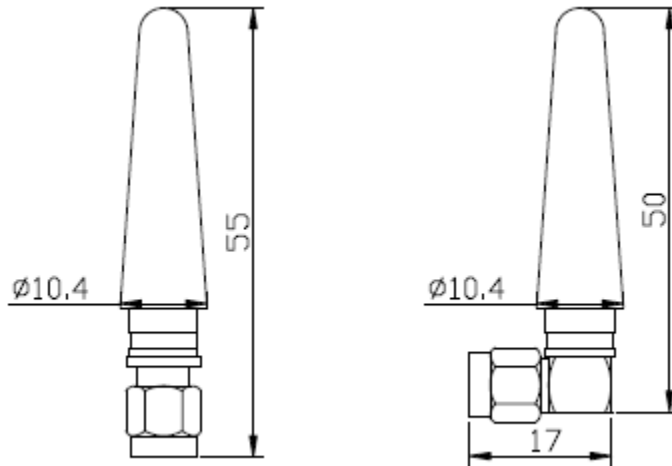
**GSM Antenna**

Item	Specifications
Frequency (MHz)	824~894 MHz/1710~1990 MHz 880~960 MHz/1710~1990 MHz 1920~2170 MHz
V.S.W.R (in BW)	$\leq 2.0 : 1$
Gain (Zenith)	2 dBi
Polarization	Vertical
Impedance	50 $\Omega$
Cable	—
Connector	SMA
Plastic Housing	Black

**GSM ANTENNA – KW-4055SMA**



**DIMENSION**



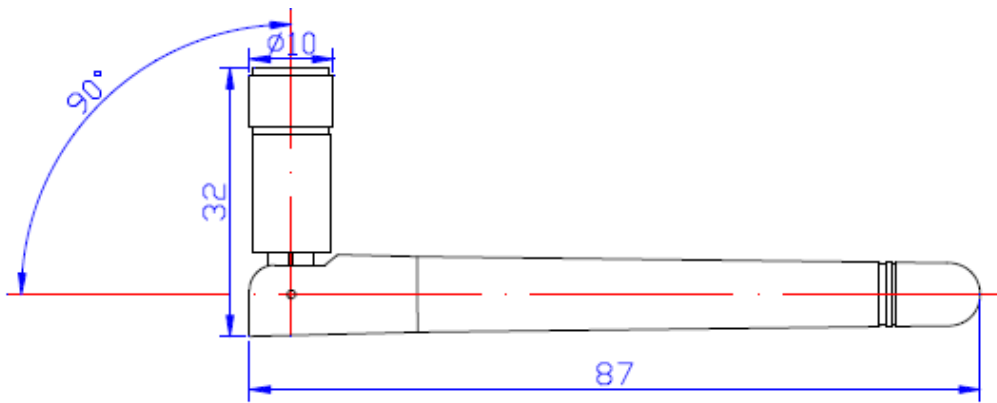
**GSM Antenna**

Item	Specifications
Frequency (MHz)	824~894 MHz/1710~1990 MHz 880~960 MHz/1710~1990 MHz 1920~2170 MHz
V.S.W.R (in BW)	≤2.0 : 1
Gain (Zenith)	2 dBi
Polarization	Vertical
Impedance	50 Ω
Cable	—
Connector	SMA
Plastic Housing	Black

**GSM ANTENNA – KW-4090**



**DIMENSION**



**GSM Antenna**

Item	Specifications
Frequency (MHz)	824~894 MHz/1710~1990 MHz 880~960 MHz/1710~1990 MHz
V.S.W.R (in BW)	≤2.0 : 1
Gain (Zenith)	2 dBi
Polarization	Vertical
Impedance	50 Ω